

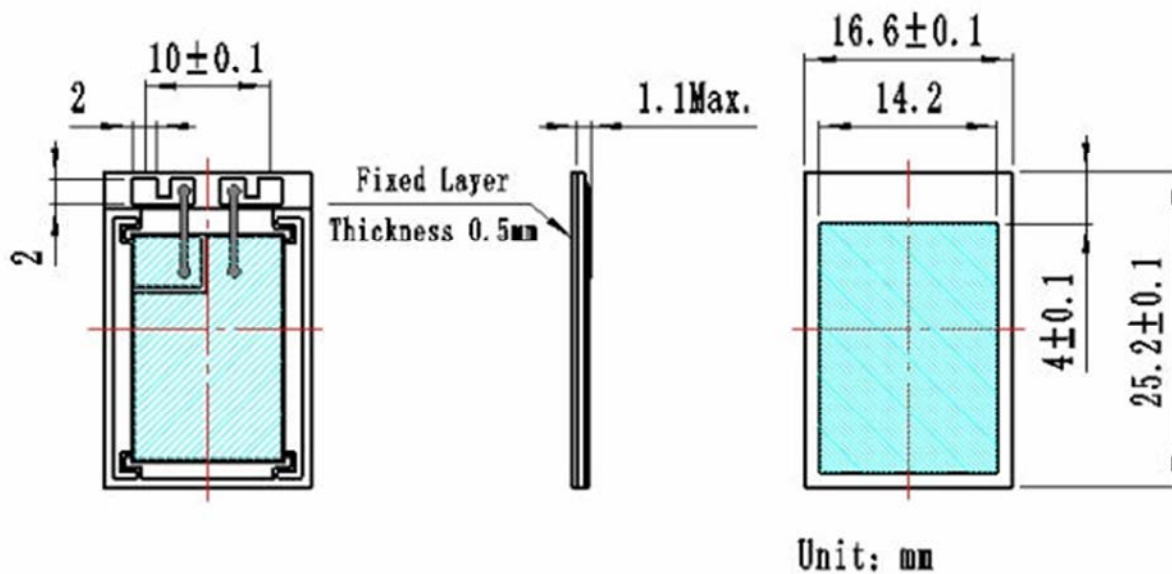
Piezo Speaker Multilayer Specification

1. Characteristics

As one of our Multi-Layer-Ceramic-Transmitter series, this product based on a multilayer ceramic structure. It's thanks to it, that the power density is high by low driving voltage between 2.7~5.5V for our recommended circuits.

The main advantages are

- Low current consumption
- Waterproof design
- no any electromagnetic field



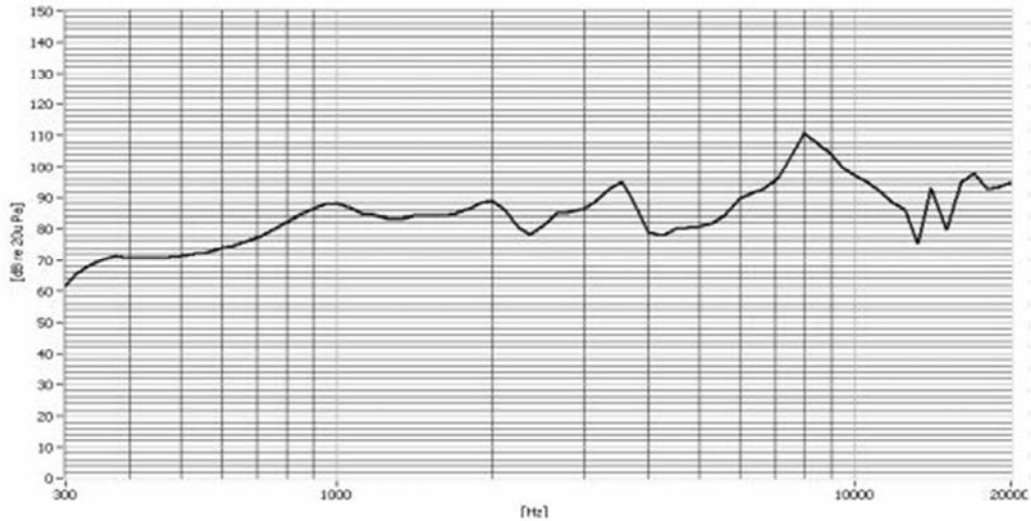
Piezo Speaker Multilayer Specification

2. Electrical characteristics

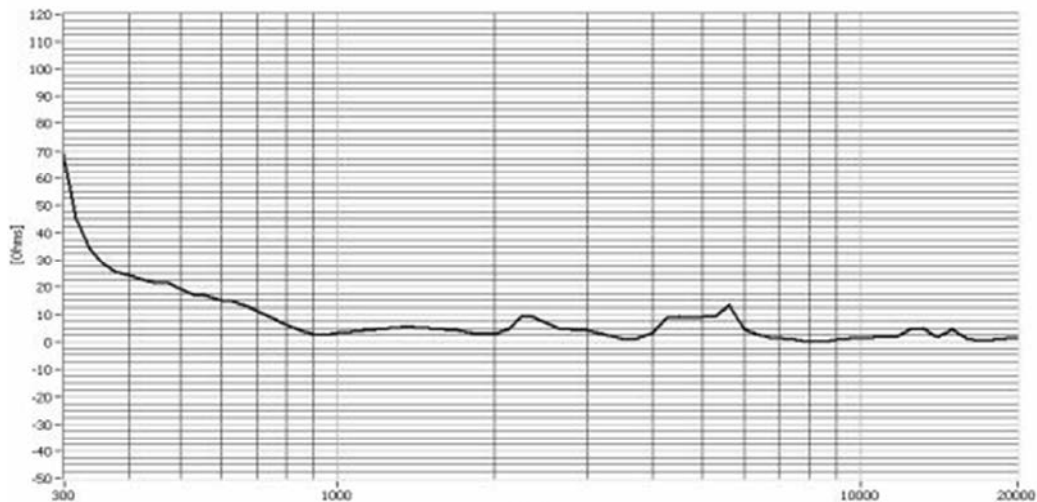
No.	Item	Unit	Specifications	Test conditions
1	Sound Pressure Level (S.P.L)	dB	80 Min.	B&K(5cm/5Vrms/at muffle room) (Average at 4-point: 1.0K、1.5K、2.0K、3.0K)
2	Electrostatic Capacity (C)	nF	400±20%	Digital electric bridge (120Hz/1V/25℃)
3	Resonant Frequency (F0)	Hz	900 TYP.	B&K (5Vrms)
4	Resonant Impedance (R)	Ω	3.0 TYP.	B&K (5Vrms)
5	Distortion (%THD)	%	<3.5	B&K (80dB/5Vrms/5cm) (Average at 4-point: 1.0K、1.5K、2.0K、3.0K)
6	Frequency Range	Hz	300~20000	-----
7	Max Input Voltage	Vp-p	28	-----
8	Operating Temp.	℃	-20 ~ +70	-----
9	Storage Temp.	℃	-30 ~ +85	-----

Piezo Speaker Multilayer Specification

3. Typical Frequency Curve



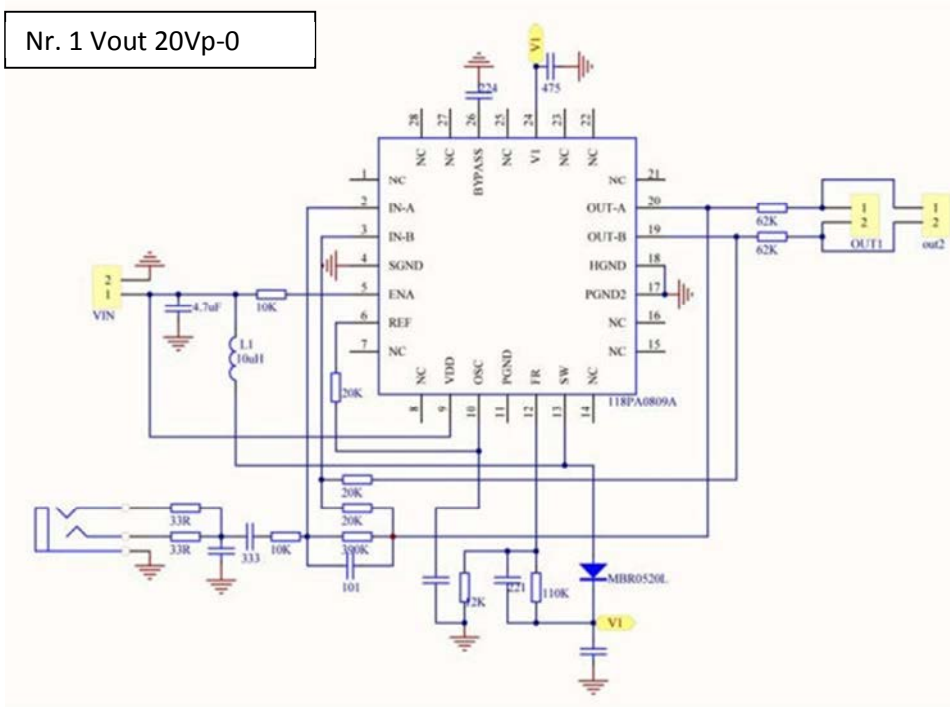
4. Typical Impedance Curve



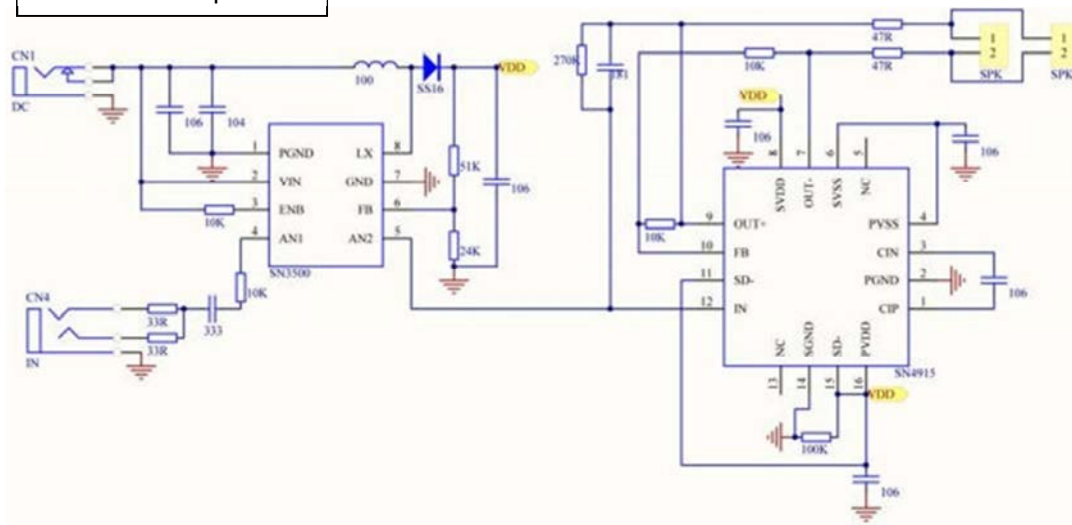
Piezo Speaker Multilayer Specification

5. Driving circuit samples

Nr. 1 Vout 20Vp-0

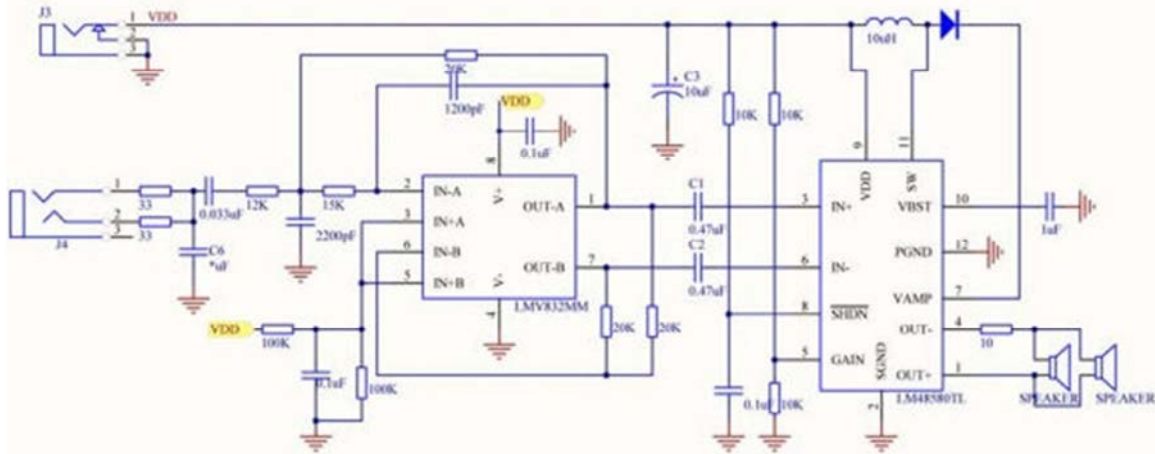


Nr. 2 Vout 20Vp-0

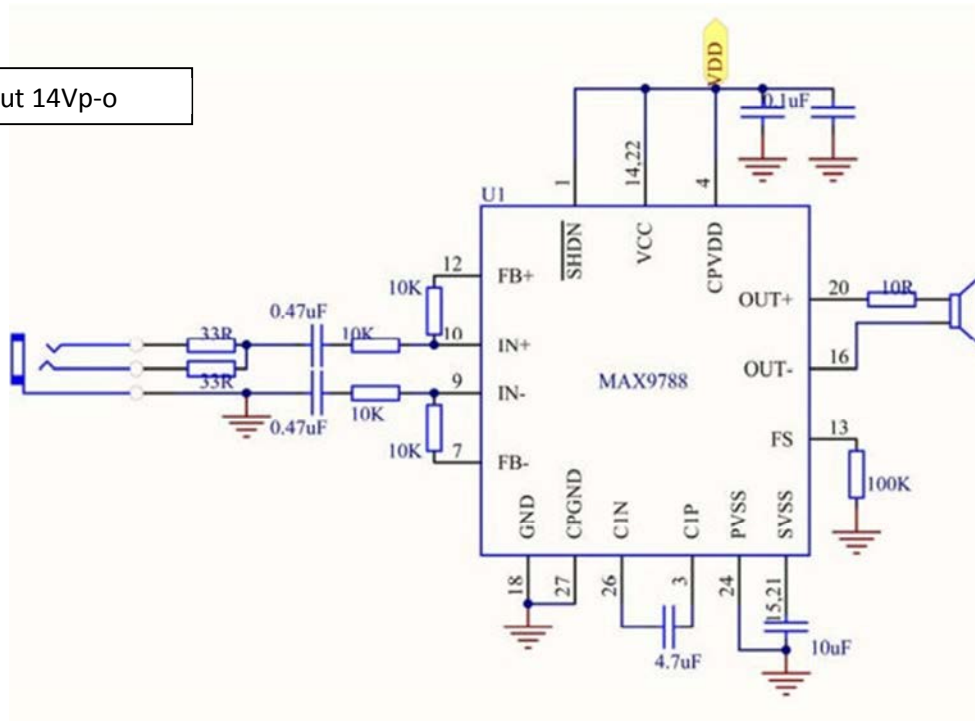


Piezo Speaker Multilayer Specification

Nr. 3 Vout 24Vp-o

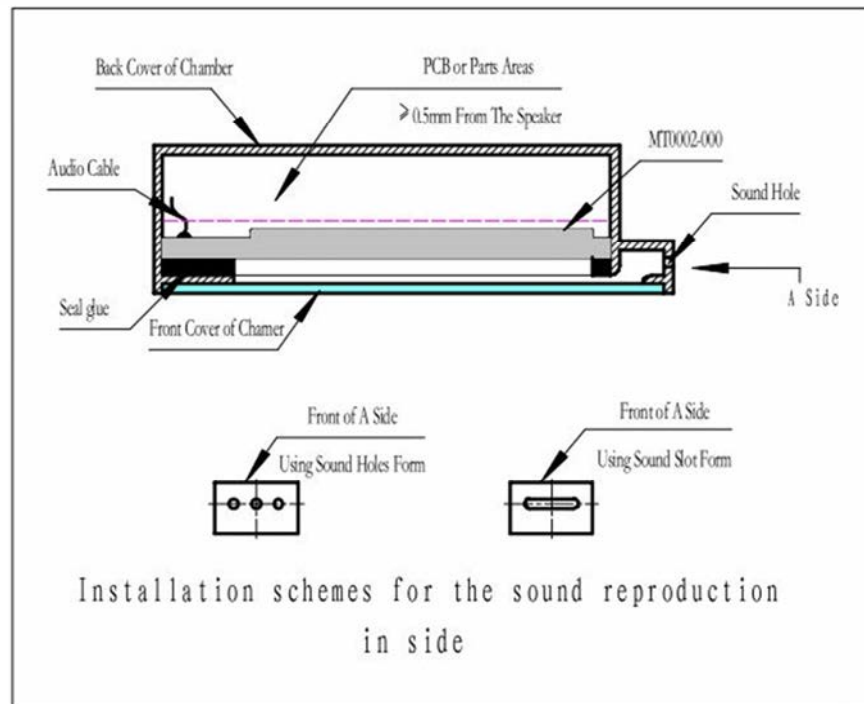
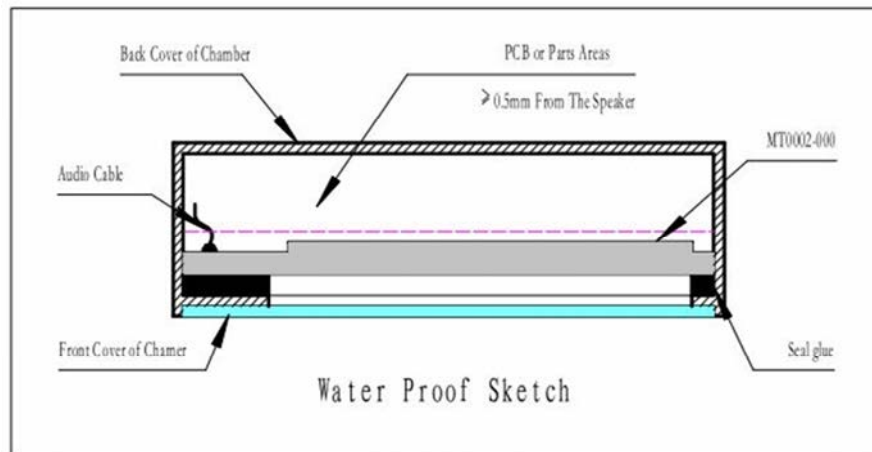


Nr. 4 Vout 14Vp-o

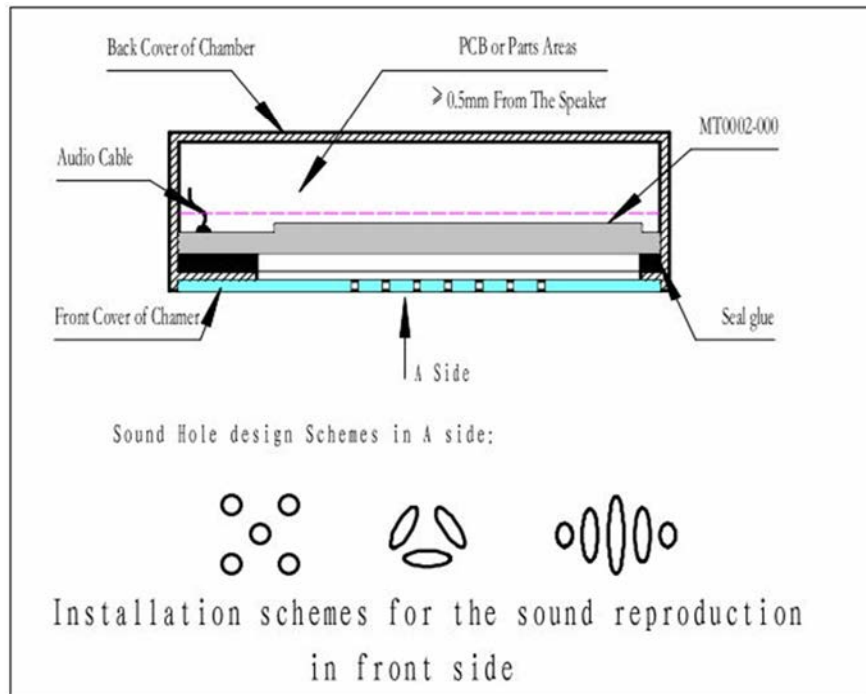


Piezo Speaker Multilayer Specification

6. Design and installation



Piezo Speaker Multilayer Specification



If you request further information and support as well as samples

please do not hesitate to call us.

We are pleased about your inquiry.

Thanks.